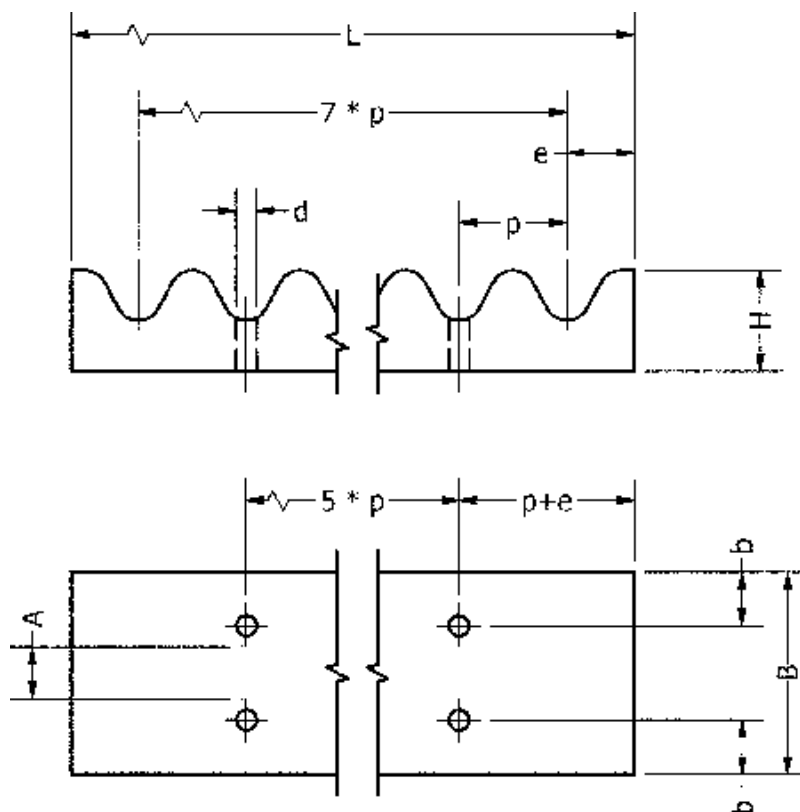


Article number: 6041651330085

Description: Clamping plate for belts HTD 14M 85

Measures



= -	b = 10
= -	B = 116
= -	d = 11
= -	e = 9
= -	H = 22
= -	L = 116
= -	
= -	
A = 85	